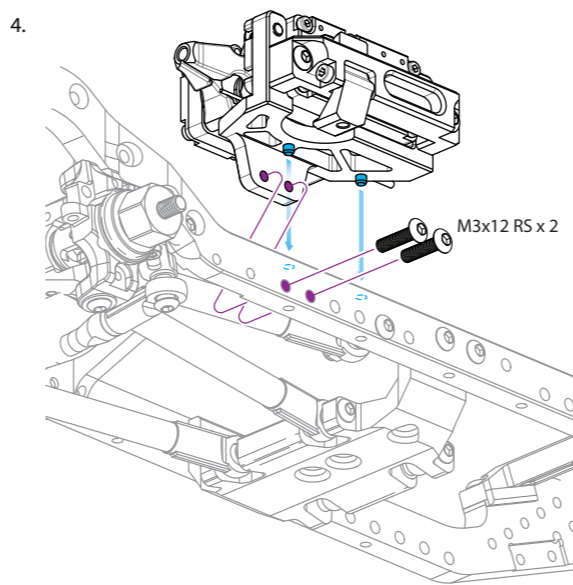
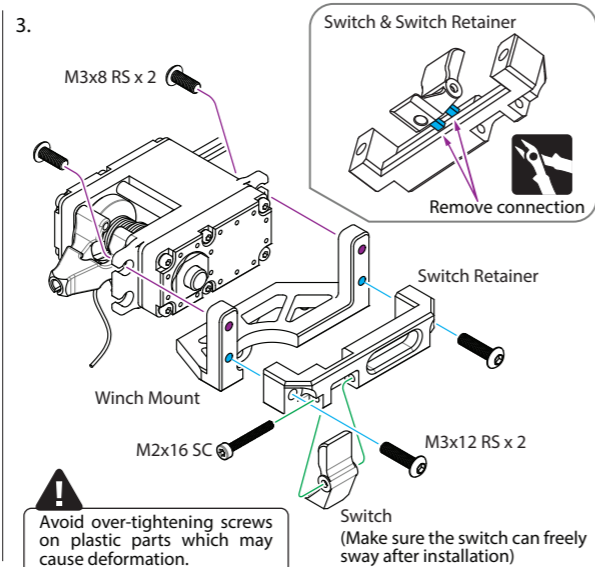
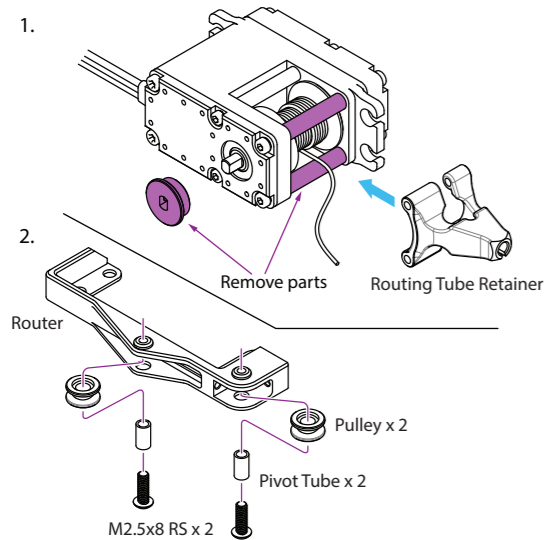
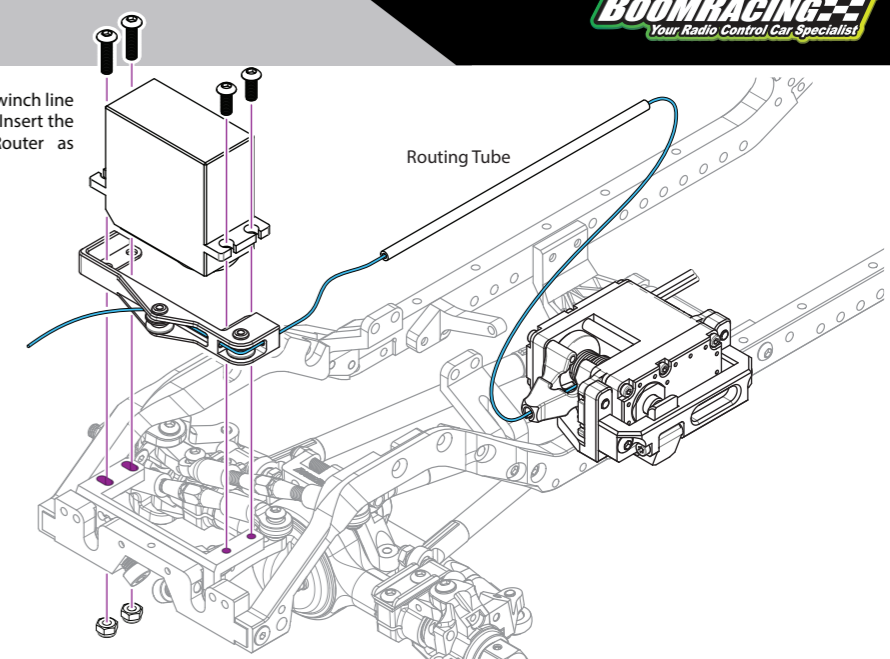


**Servo Winch Mount Kit for BRX01 (#BRLC7200)**

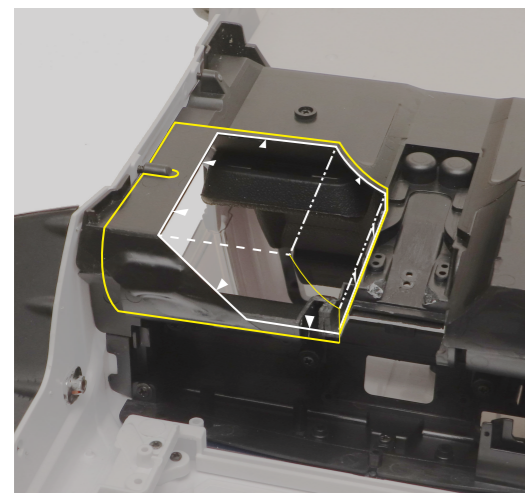


5. Release approx. 20cm of the winch line and insert the Routing Tube. Insert the winch line through the Router as shown.

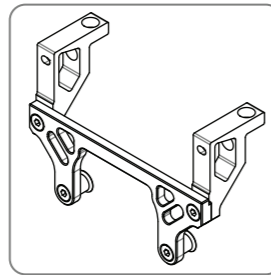


**Servo Winch Mount Kit for BRX01 (#BRLC7200)**

6. Interior Cut-Out Guideline

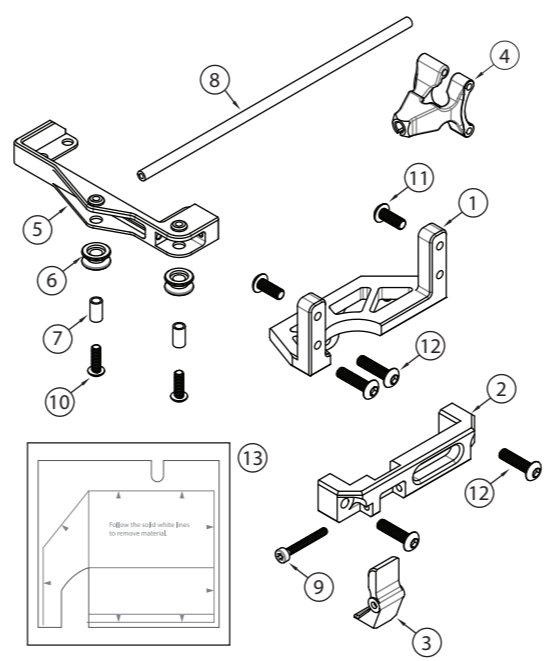


**Recommended Option #BRLC7098**



An optional LC70 CNC hardbody mount is required to maintain the quick release feature and winch line directly passing through.

Parts Included:	Qty.
(1) Winch Mount	1
(2) Switch Retainer	1
(3) Switch	1
(4) Routing Tube Retainer	1
(5) Router	1
(6) Pulley	2
(7) Pivot Tube	2
(8) Routing Tube	1
(9) M2x16 SC Screw #BRASCH2016	1
(10) M2.5x8 RS Screw #BRASBH2508	2
(11) M3x8 RS Screw #BRASBH3008	2
(12) M3x12 RS Screw #BRASBH3012	4
(13) Interior Cut-out Guideline	1



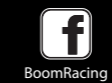
**YOUR R/C HOP-UPS SPECIALIST**

We love building scale models. Let's be honest. Which badass doesn't love a beautiful looking car? Our focus is on designing the best looking products that really perform; products that withstand beating and still look great enough to be shelf queens. Offering you the latest designs made with the highest possible quality at affordable prices is our absolute focus for all enthusiastic hobbyists.

Since 2012, Boom Racing has been manufacturing extreme performance RC products. We want you to love and enjoy these amazing "scale" and "performance" based products to create your own unique realistic RC builds.

We are never going to stop at giving you the best updates and upgrades on our product lines. That's our passion and our commitment to keep you on your toes with excitement and anticipation for what's to come next.

Enjoy being a BADASS!



**Servo Winch Mount Kit for BRX01  
#BRLC7200**

Difficulty Level: ★☆☆☆☆



**ENJOY BEING A BADASS**